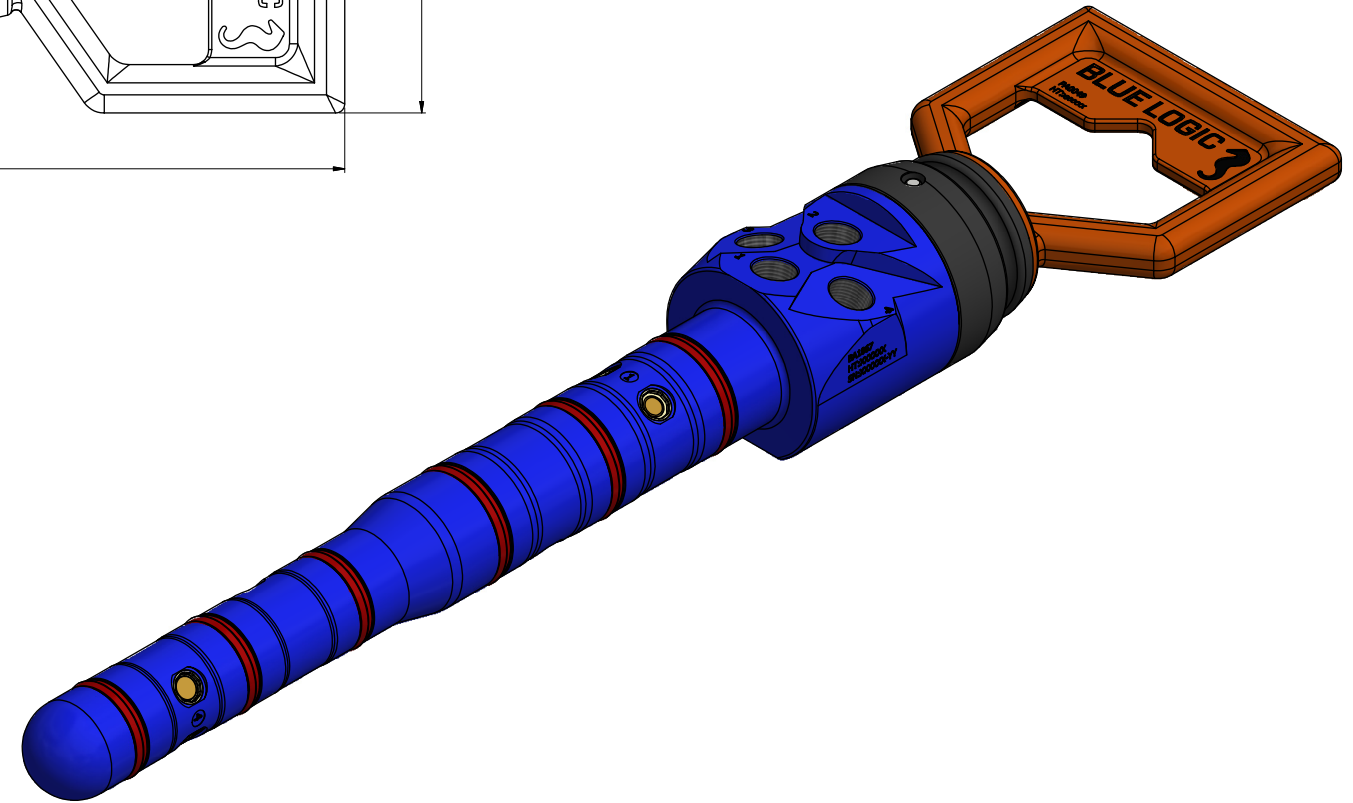
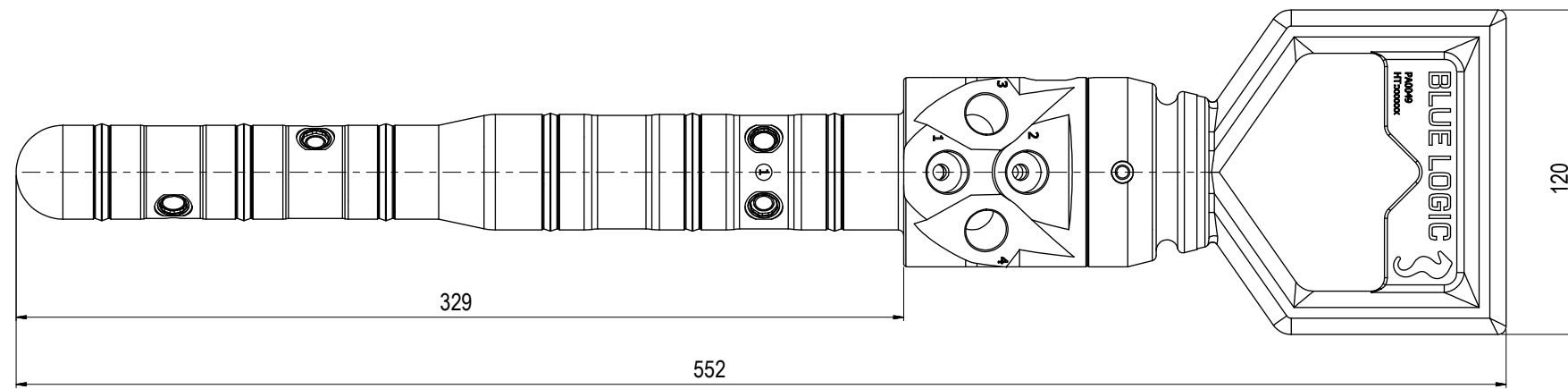
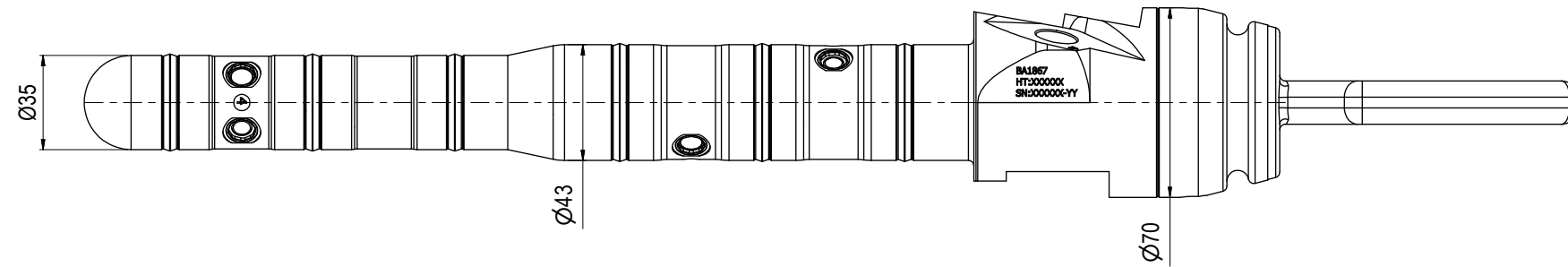


NOTE: 1
 DESIGN CODE:
 ISO 13628-8 Type A/API 6A

NOTE: 2
 TECHNICAL CLASSIFICATION:
 Article Type: 001-Hot Stabs
 Main Group: 1.02. Ø35/Ø43 Hot Stab
 Intermediate Group: 1.3.01. Stab
 Sub Group: 1.3.9.04. Quad

NOTE: 3
 INTERFACE INFORMATION:
 Pressure Rating Bar: 690
 Design Water Depth: 3000m
 Material: Intervention
 Weight in Air: 5,6 kg
 Volume: 0,8 dm³
 Submerged Weight: 4,82 kg
 Surface Area: 1688 cm²
 Hydraulic: 3/8" BSP
 Mechanical: N/A
 Electrical: N/A
 Com. & Protocol: N/A

NOTE: 4
 SPAREPARTS:
 BA5290



09	14.2.2025	9-IFU (Issued for Use)		HNJ	TAN	HNJ
08	13.1.2022	9-IFU (Issued for Use)		WTJ	HNJ	WTJ
07	9.12.2014	9-IFU (Issued for Use)		HNJ	WTJ	HNJ
06	7.5.2014	9-IFU (Issued for Use)		WTJ	HNJ	WTJ
Rev.	Date	Reason for issue	Revision change	Made	Chk'd	Appr.



Dwg Scale:	NTS
Dwg Proj:	
Dwg Format:	A3

Drawing title:	Ø35/Ø43 QP Stab 10k Interv wCV BSP 3/8"
Drawing number:	BA1865
Rev.	09